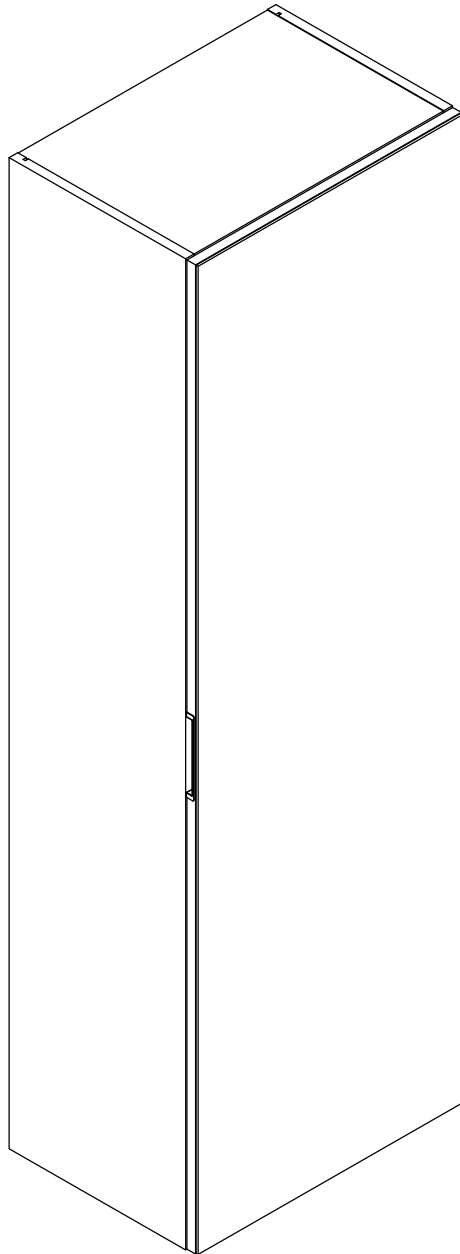
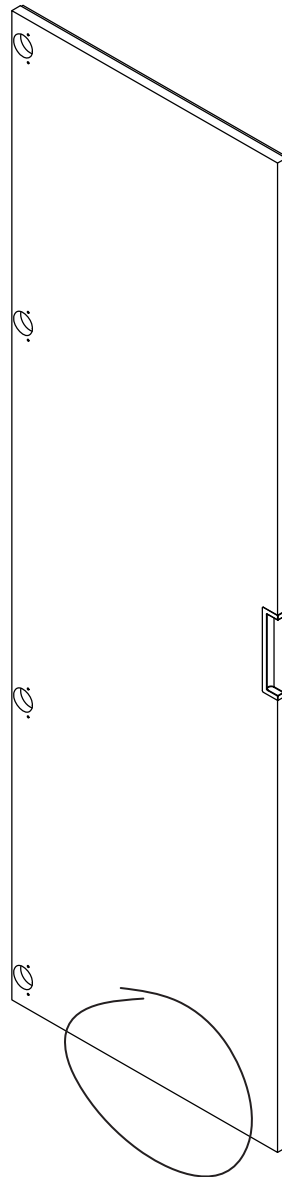
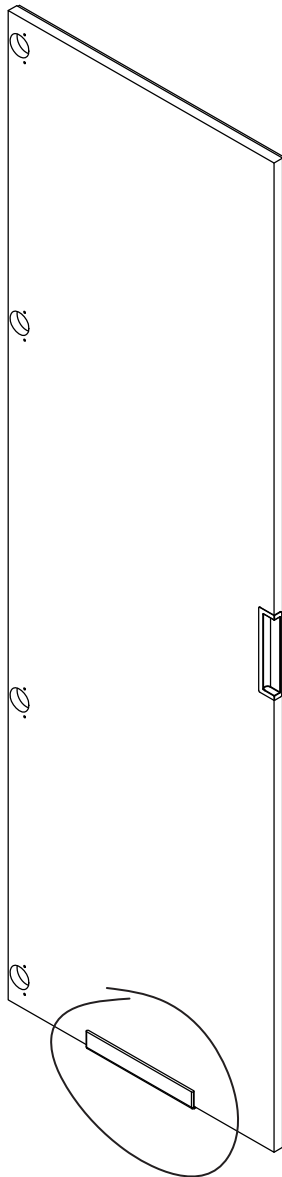
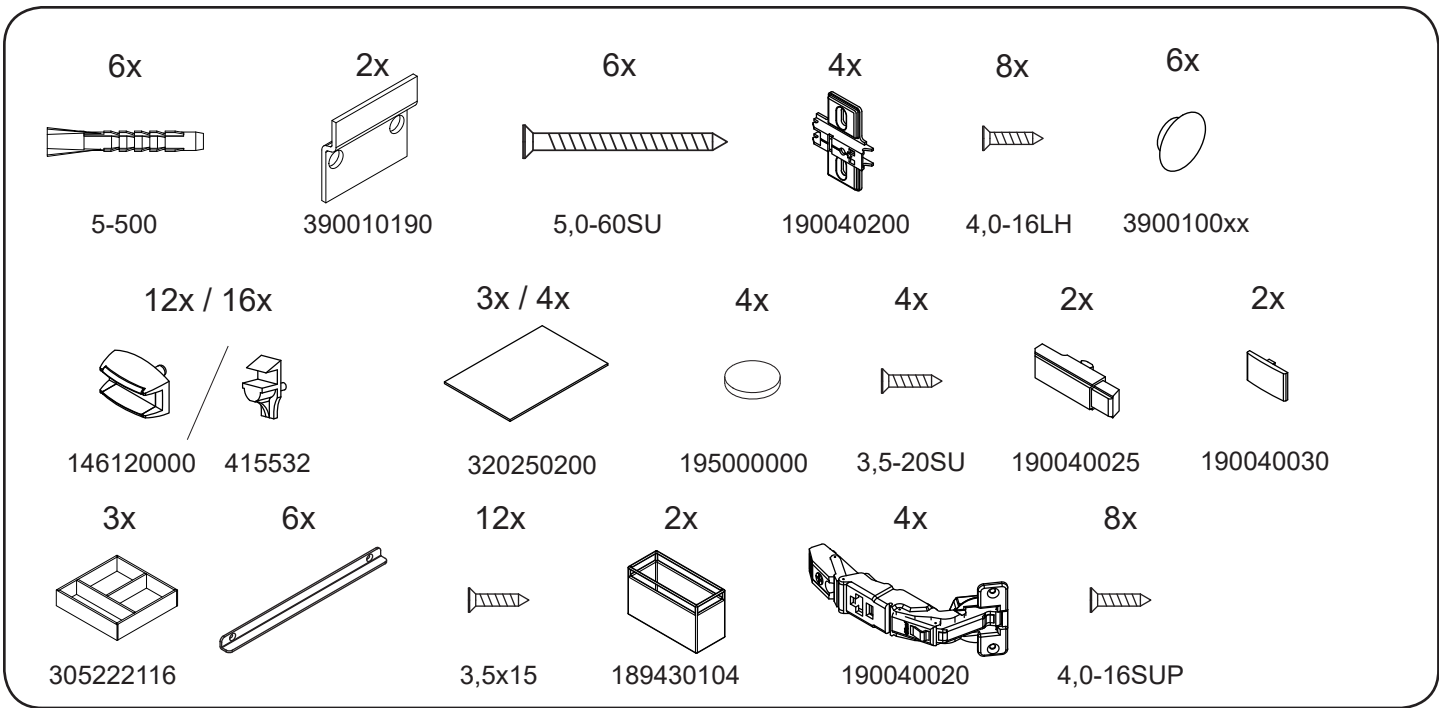


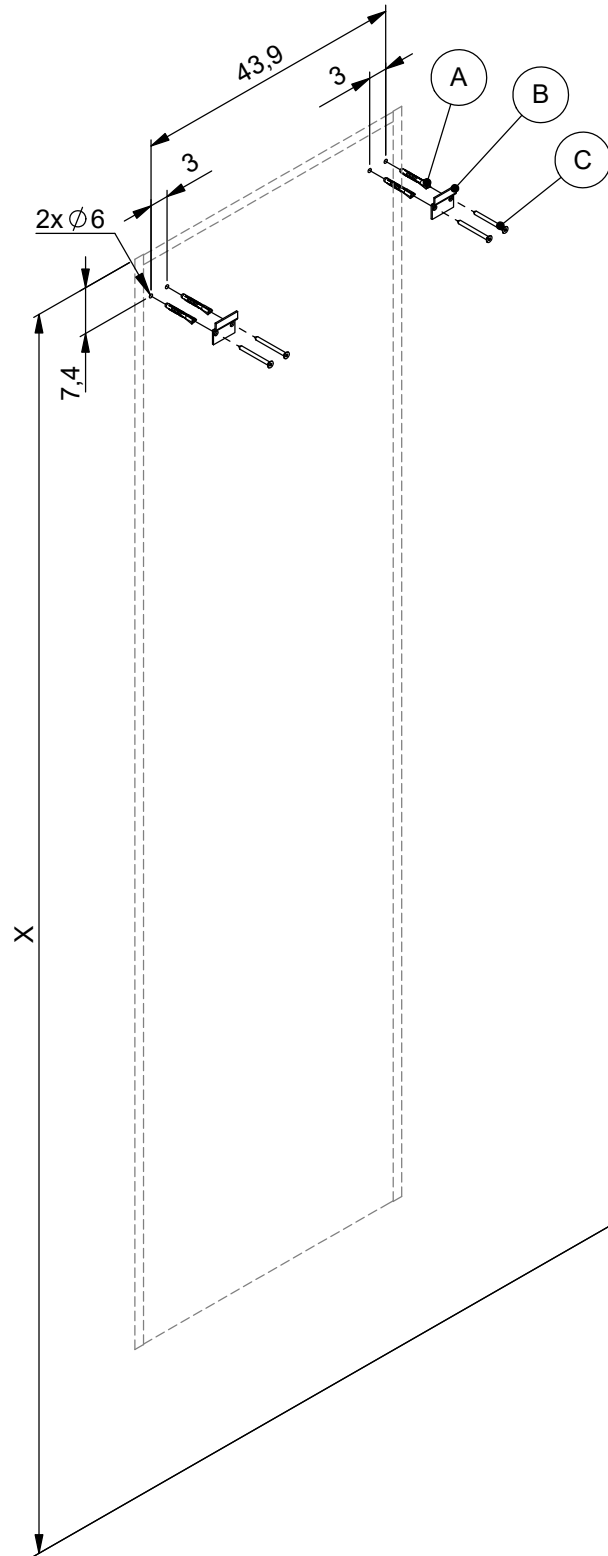


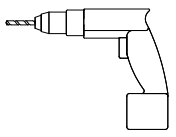

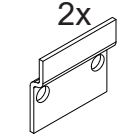
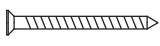
DANSANI®



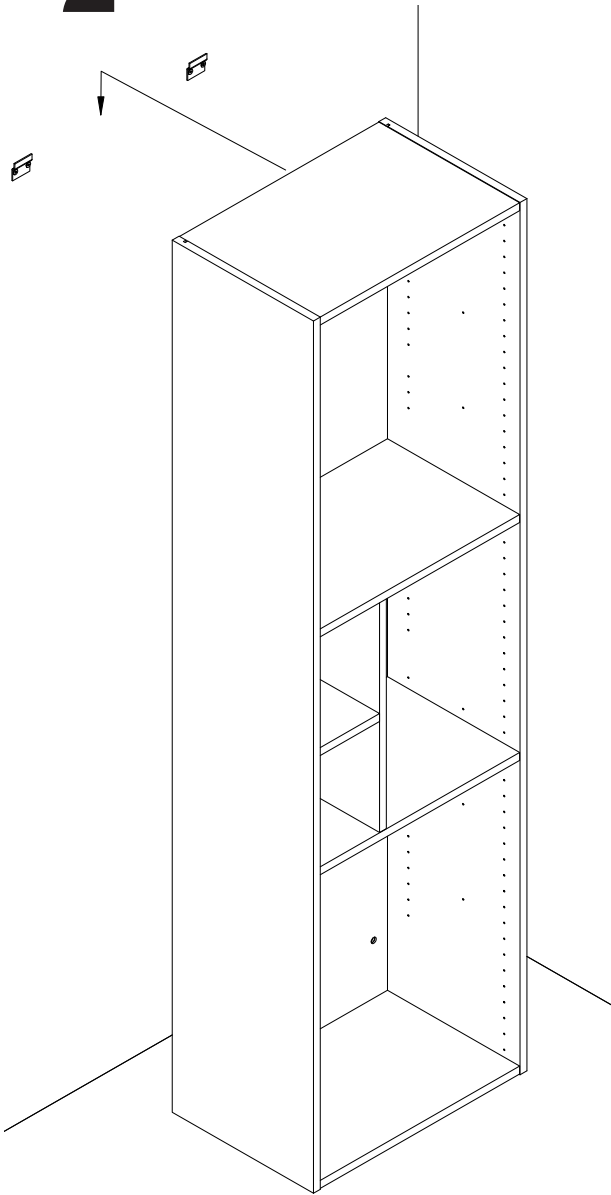


1

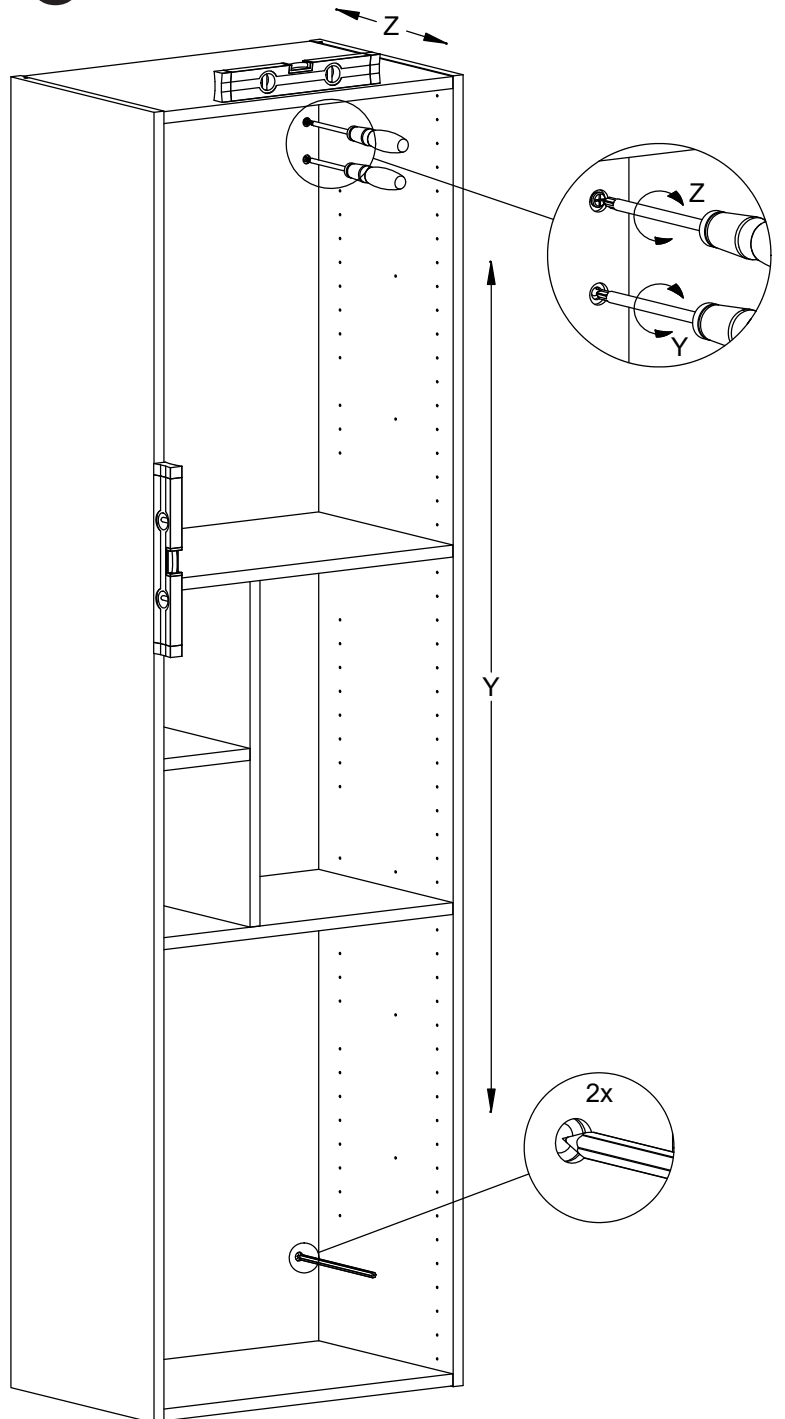


- | | | | |
|---|---|--|---|
|  | 4x | 2x | 4x |
| |  |  |  |
| | 5-500 | 390010190 | 5,0-60SU |
| | (A) | (B) | (C) |

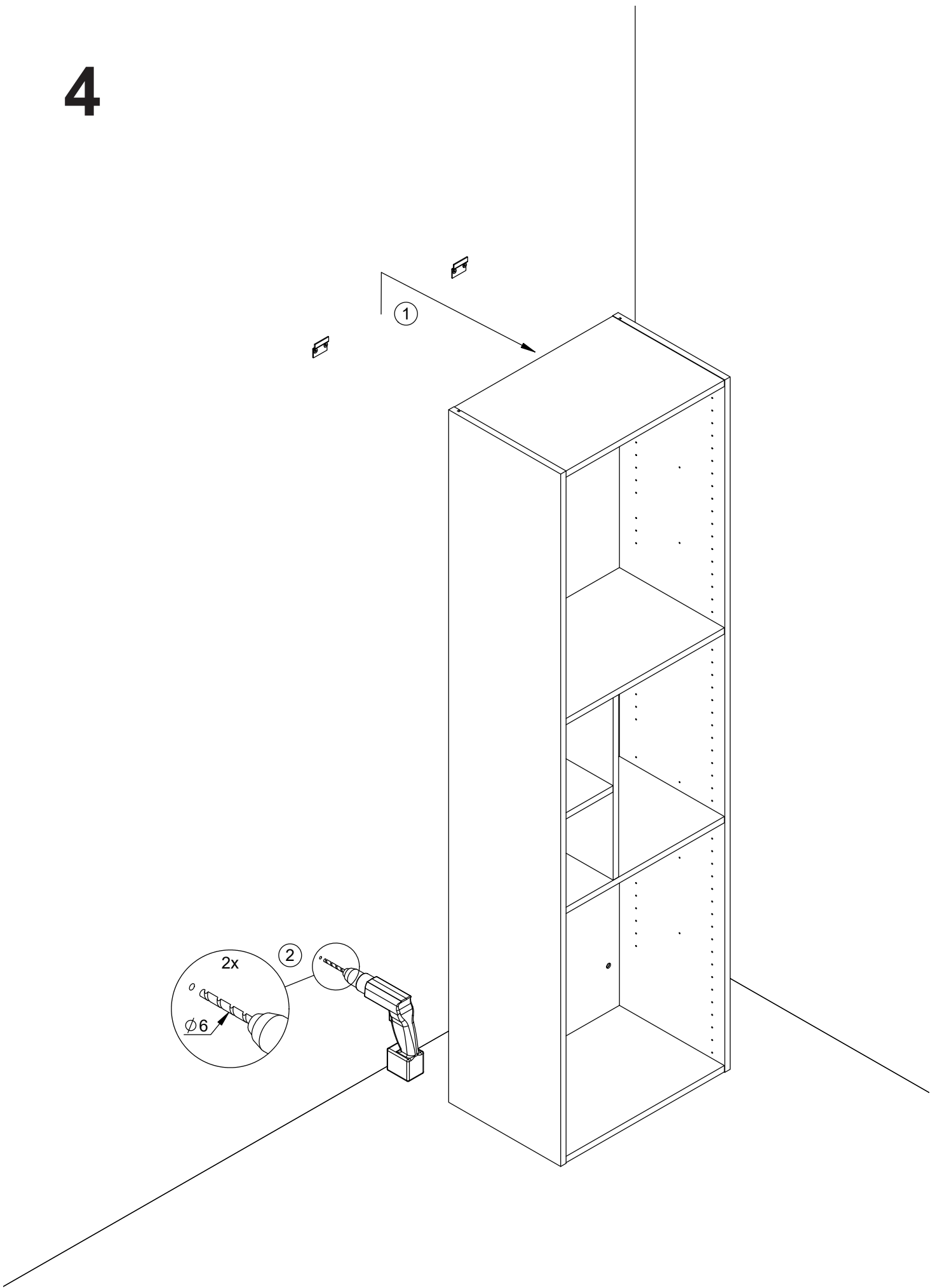
2



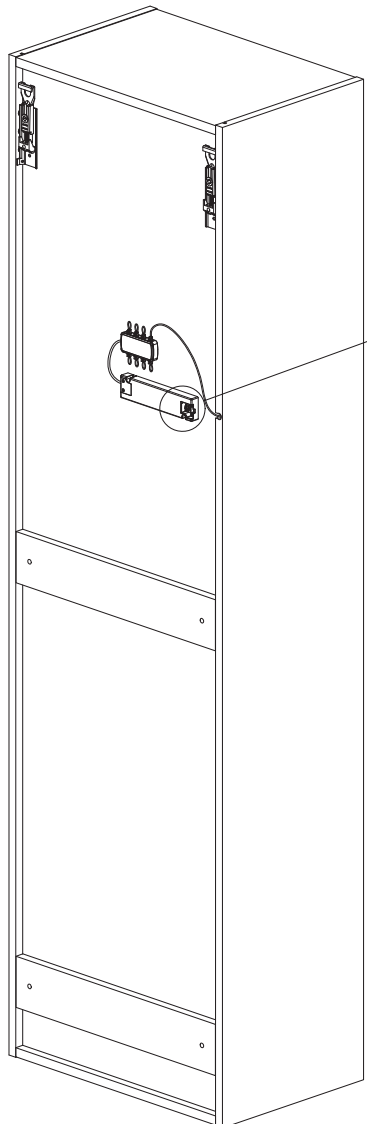
3



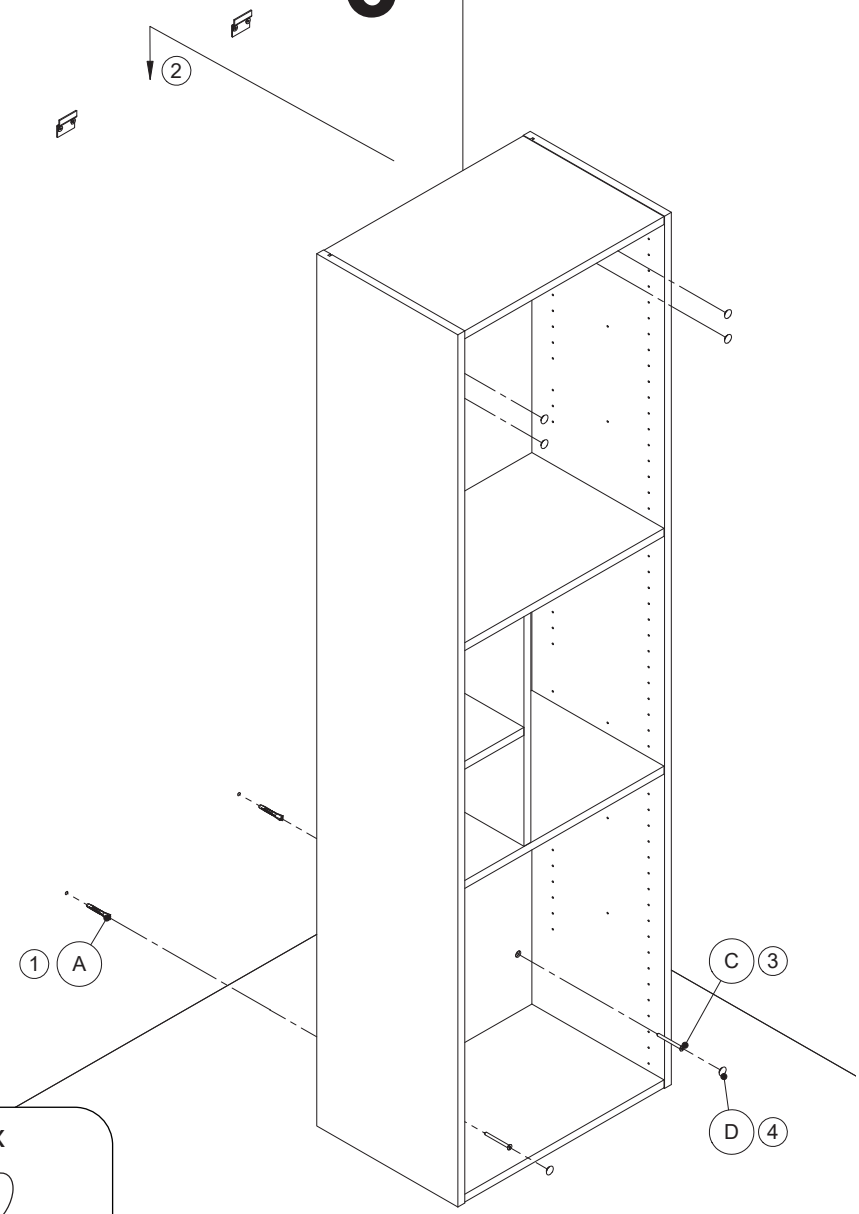
4


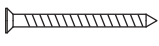



5

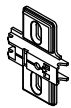
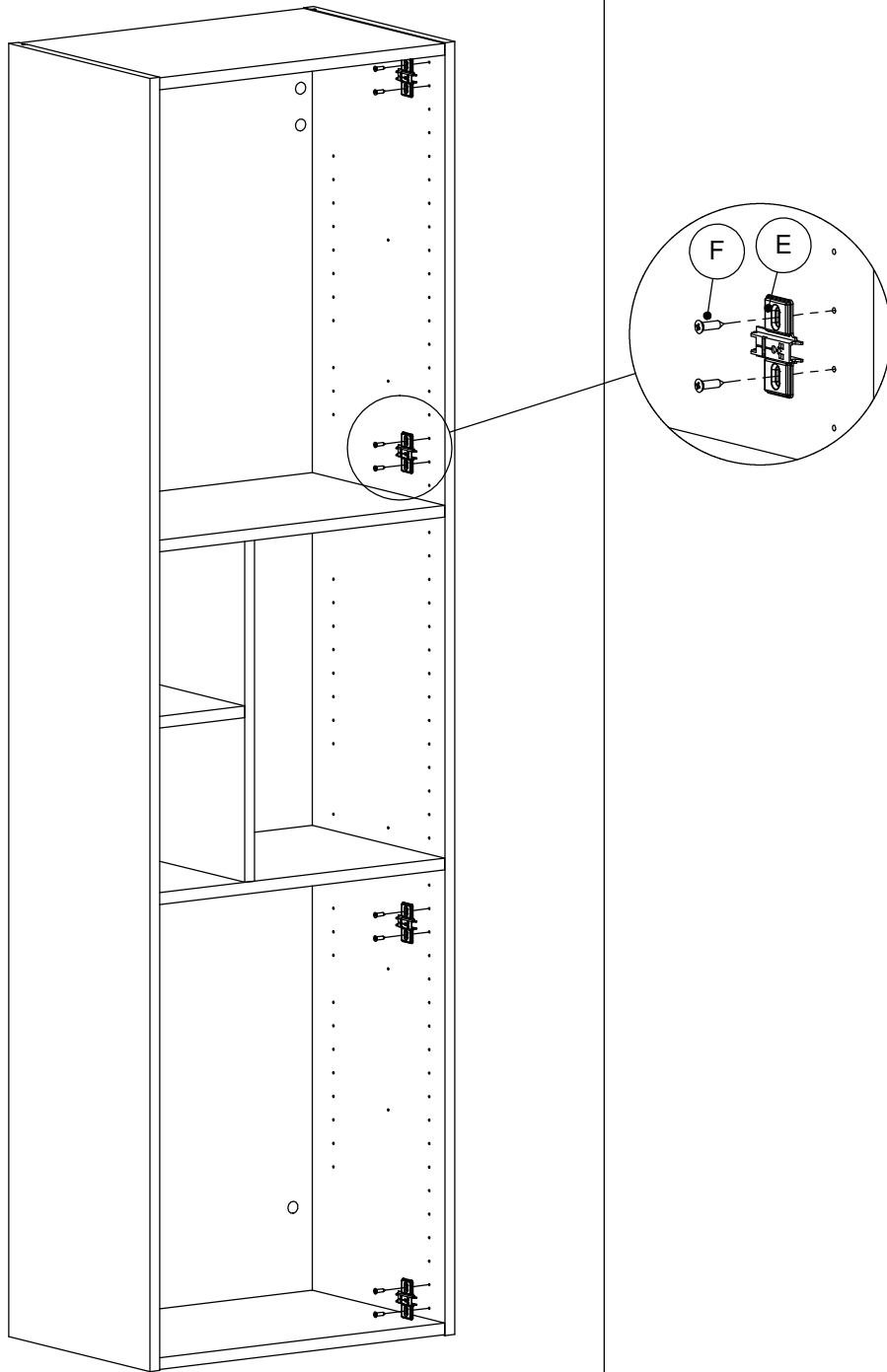


6



2x	2x	6x
		
5-500	5,0-60SU	3900100xx
(A)	(C)	(D)

7

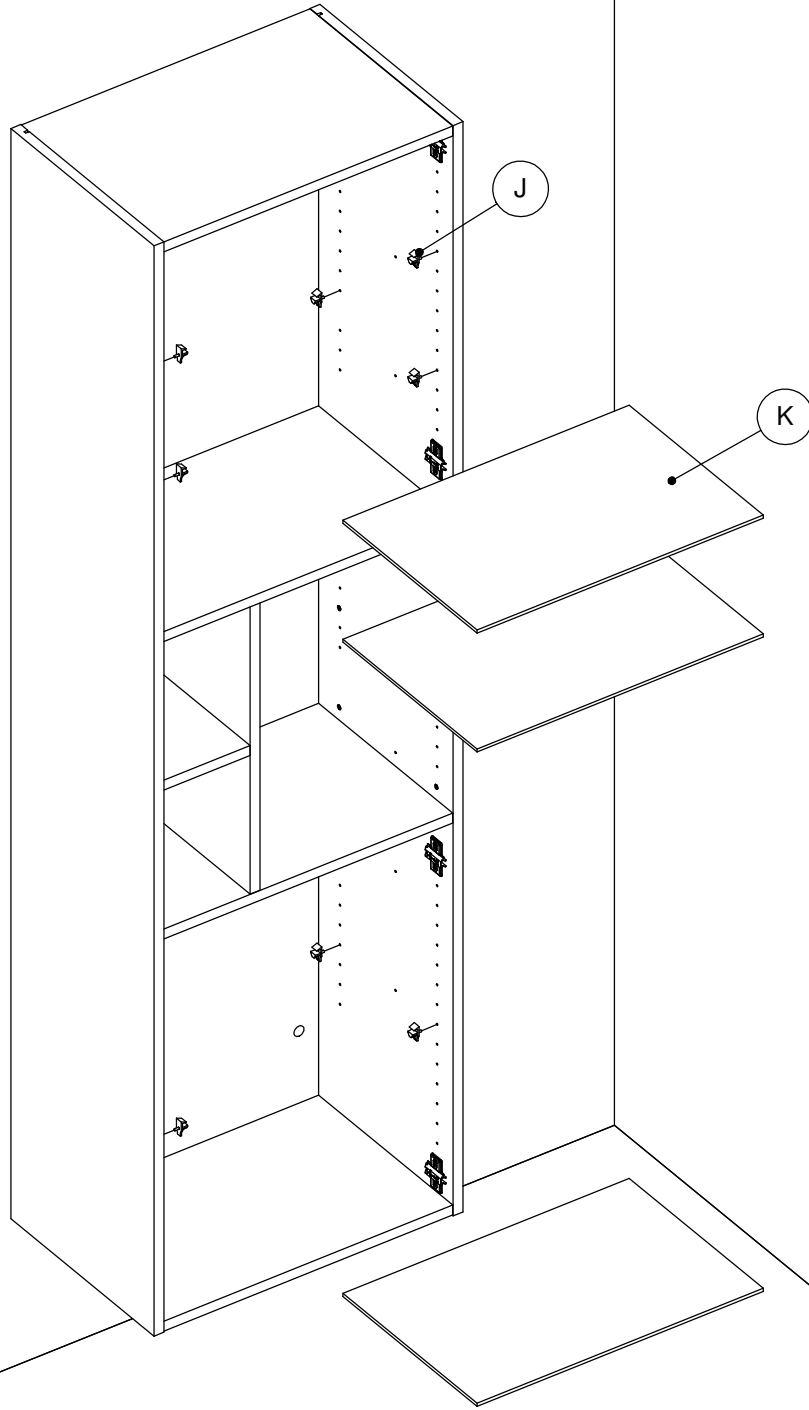




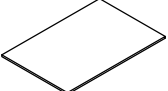
190040200

4,0-16LH

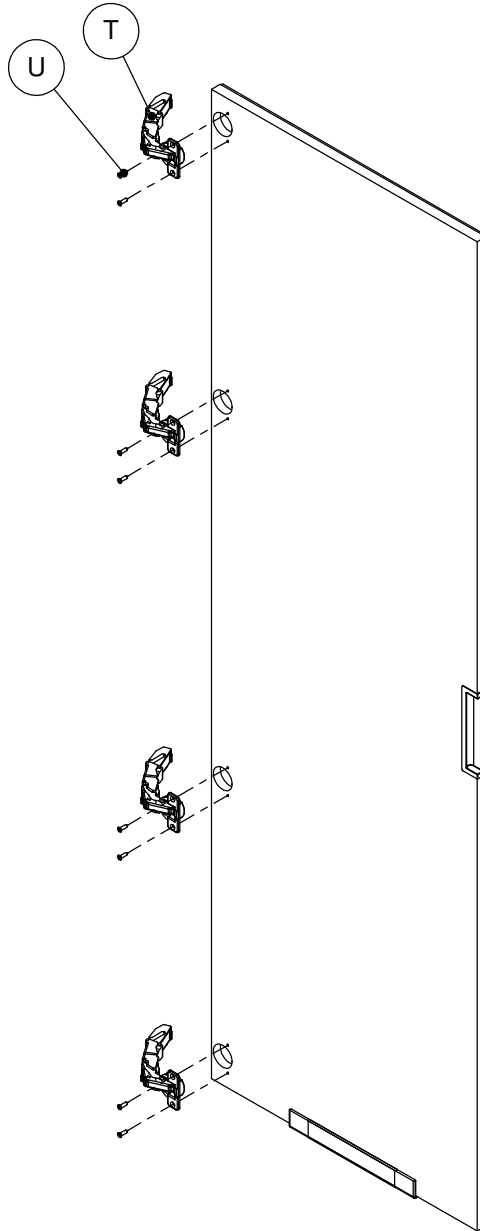
E

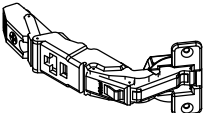

F



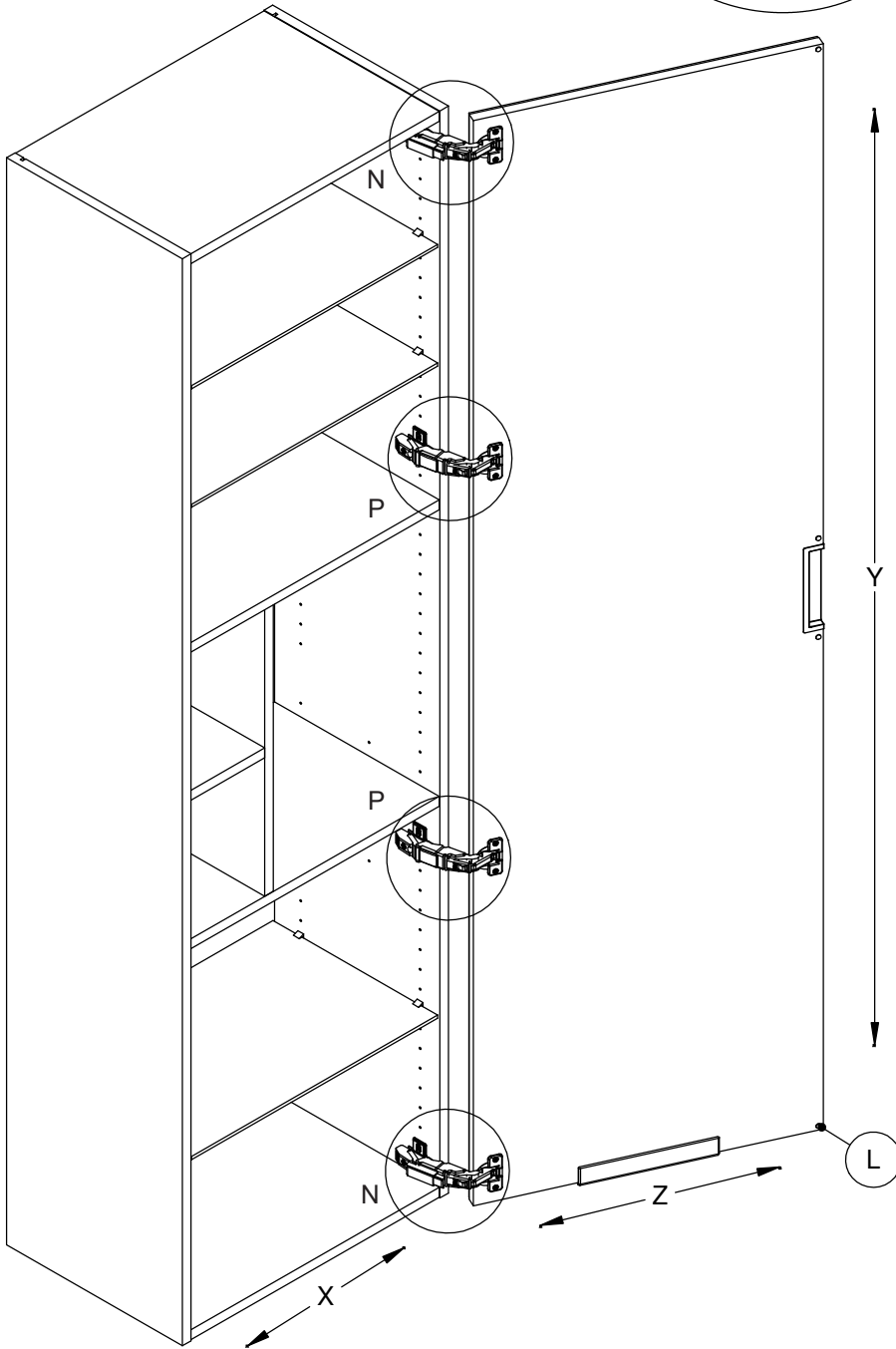
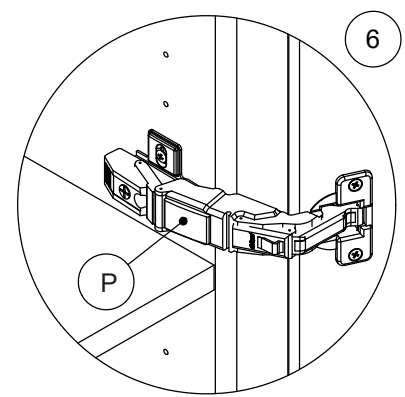
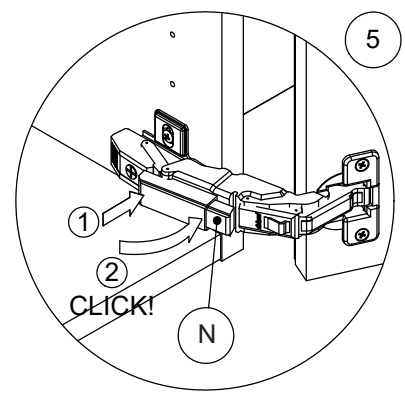
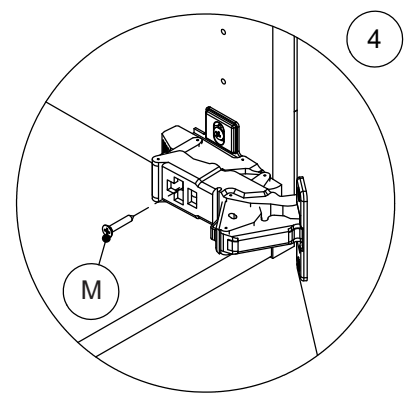
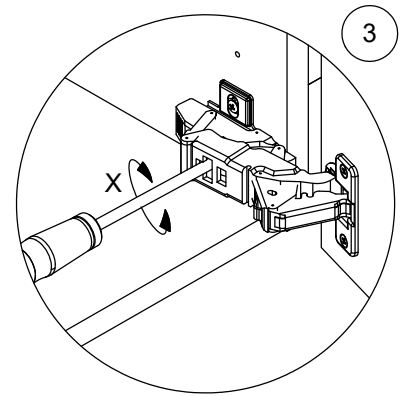
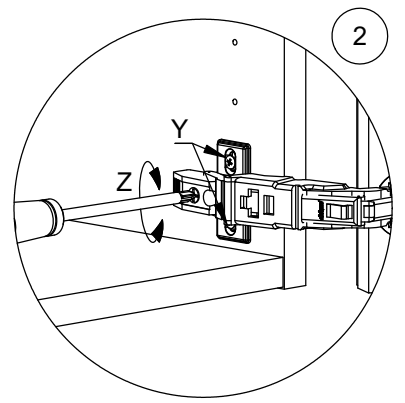
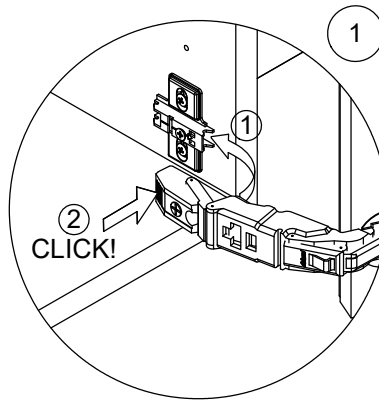
		
415532	146120000	320350200
(J)		(K)



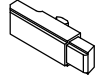

9

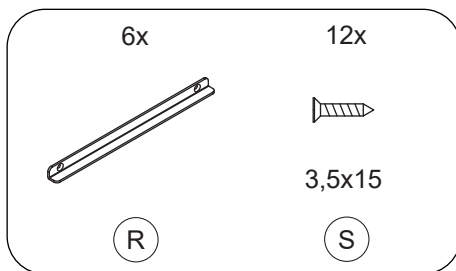
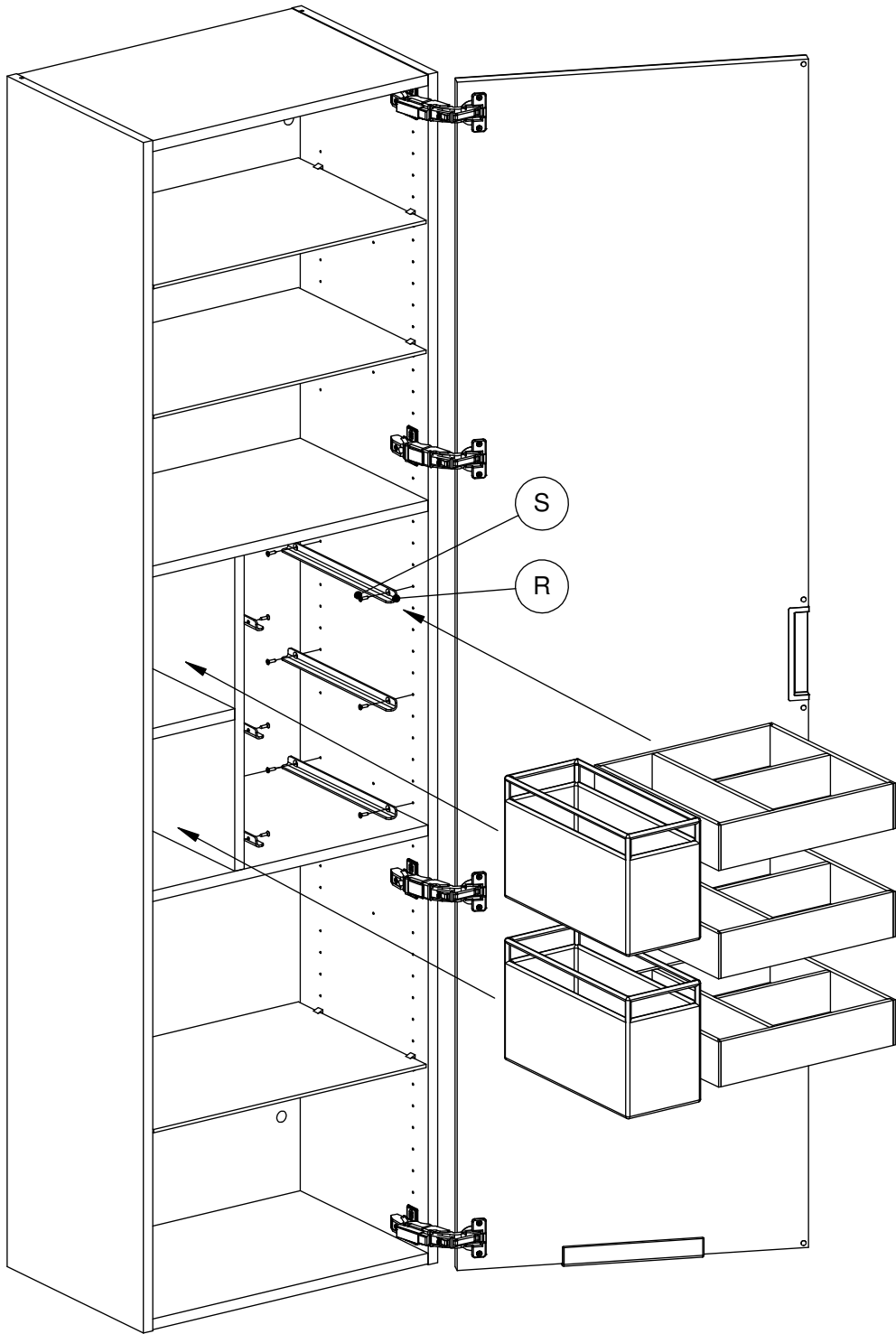


	
190040020	4,0-16SUP
(T)	(U)

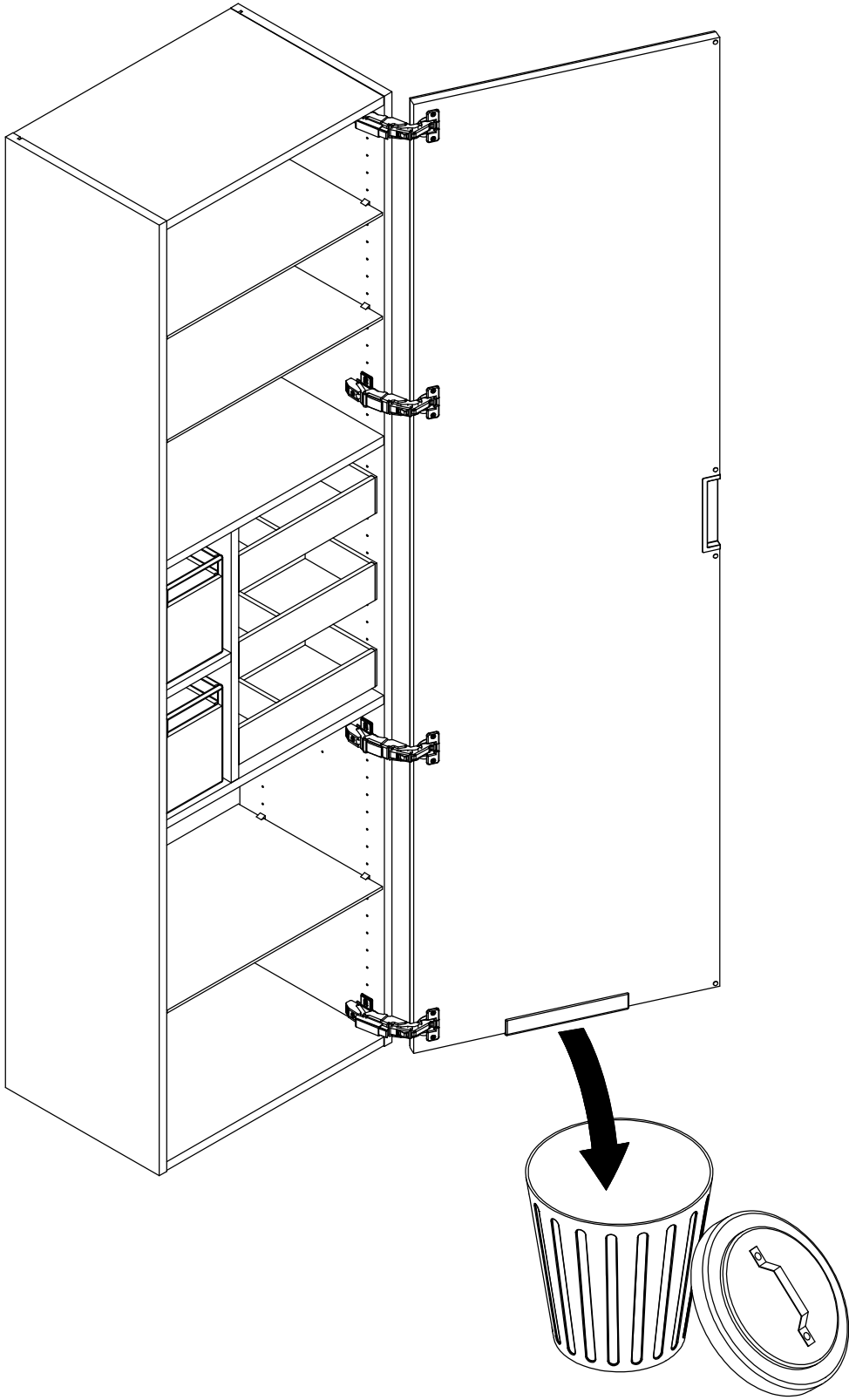
10



			
19500000	3,5-20SU	190040025	190040030
(L)	(M)	(N)	(P)



12



5 711112 169985